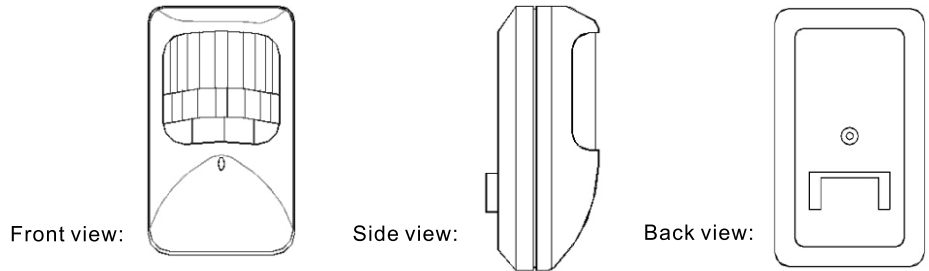


Thank you for choosing our Passive Infrared Detectors. Pls carefully read this instruction before installing and using. Any query pls consult our sales staff and technical person. Non professional people are prohibited to disassemble the products to avoid personal injury and products damage.

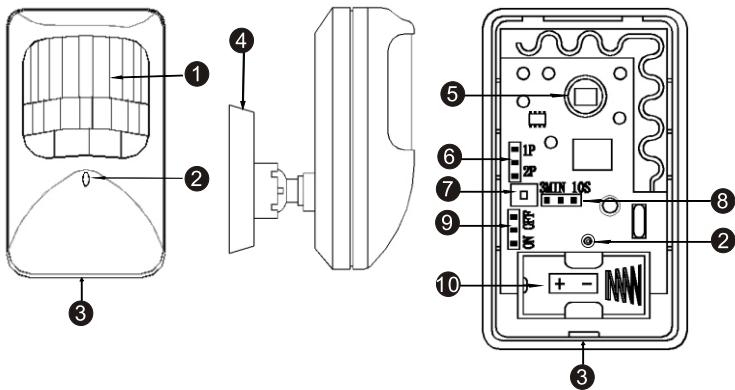
**Wireless Passive
Wide Angle
Infrared Detector**

INSTRUCTION MANUAL

Products Design:



1 PARTS DESCRIPTION



- ① Fresnel lens
- ② LED indicator light
- ③ Upper-Cover Locking Screw
- ④ Stand
- ⑤ Sensor
- ⑥ Pulse count option
- ⑦ Tamper switch
- ⑧ Alarm Interval Time setting
- ⑨ LED indicator ON/OFF option
- ⑩ Battery Holder

3 PRODUCTS SPECS

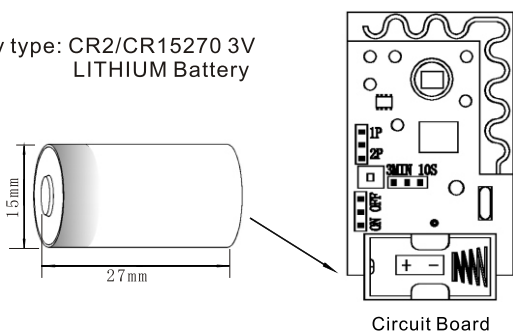
Sensing angle: 100°
 Sensor range: 29*39 ft (at temperature of 25° C)
 Installation height: 2.3M (suggested)
 Sensor type: Dual element pyroelectric infrared sensor
 Battery type: One(1) CR2/CR15270 3V Lithium Battery or equivalent lithium battery
 Battery life: 3-5 years(Alarm Interval Time 3MIN selected)
 Dimension: 3.54*2.09*1.57 in
 Transmitter Frequency: 315Mhz or 433Mhz
 Wireless signal range: >100 M (open air, line of sight)
 Operating temperature: -10-+50° C
 Relative humidity: 5-90% no condensation
 Anti-pet: 25KG

4 Installation Instruction

4.1 Battery Installation

Please insert battery as shown in picture. Notice the anode and cathode, DO NOT reverse the polarity.

Battery type: CR2/CR15270 3V
LITHIUM Battery



2 PRODUCTS PRESENTATION

This product utilizes dual element, low noise pyroelectric infrared sensor and low power infrared signal processing chip. It's able to detect human's infrared spectrum effectively and accurately and it features high sensitivity and low false alarm rates. This product is widely used for bank, depot, mall, hall, villa and similar places where high level security is required.

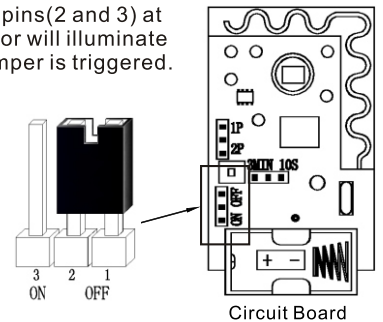
4.2 Jumper Installation

4.2.1 LED indicator ON/OFF option

- * Jumper connects on two pins(1 and 2) at OFF position. LED indicator won't illuminate while alarm occurs or tamper is triggered.
- * Jumper connects on two pins(2 and 3) at ON position. LED indicator will illuminate while alarm occurs or tamper is triggered.

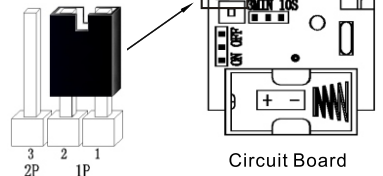
NOTE:

LED indicator is allowed to illuminate when this product is in Warm Up Mode and Walk Test mode.



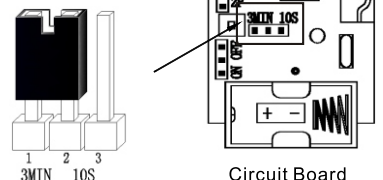
4.2.2 P.COUNT option

- * Jumper connects on two pins(1 and 2) at 1P. Pulse count is set as 1, alarm will be triggered if human movement pass one zone.
- * Jumper connects on two pins(2 and 3) at 2P. Pulse count is set as 2, alarm will be triggered only if human movement pass two or more zones.

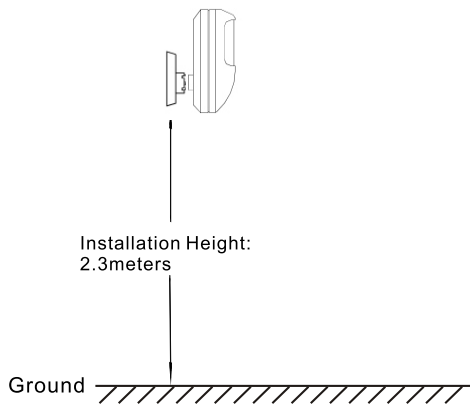


4.2.3 Alarm Interval Time setting

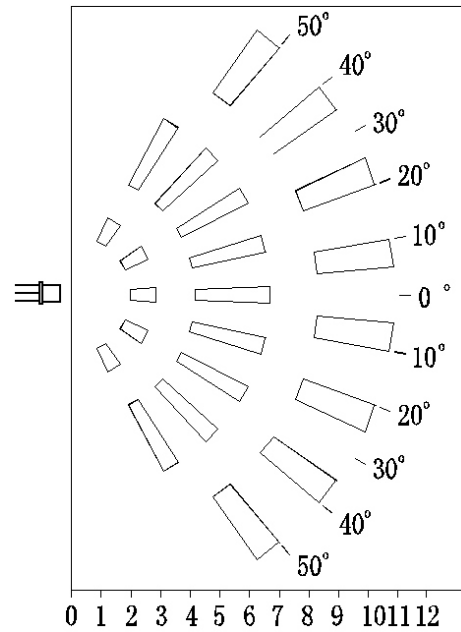
- * Jumper connects on two pins(1 and 2) at 3MIN, if this product detect human movement and transmit alarm signal twice within a three-minute period, it will fall into inactive status(energy save mode) for 3 minutes until it start to detect human movement again, during this period this product won't transmit alarm signal.
- * Jumper connects on two pins(2 and 3) at 5S, if this product detect human movement and transmit alarm signal twice within a three-minute period, it will fall into inactive status(energy save mode) for 5 seconds until it start to detect human movement again, during this period this product won't transmit alarm signal.



5 Installation Instruction



8.2 Top View



6 Work Instruction

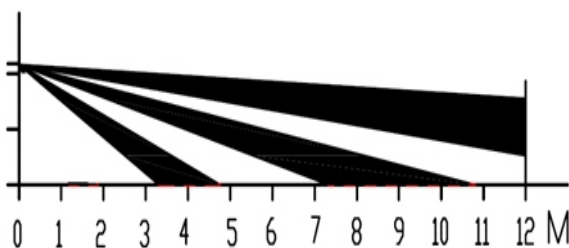
- 6.1 Warm Up: after battery is inserted, this product begin to warm up (lasting 90 seconds) with LED indicator flashes (even though the LED indicator option is selected OFF)
- 6.2 Alarm: after warming up, when this product detect human movement, it will transmit alarm signal while LED indicator illuminate for 1 second, LED indicator won't illuminate if LED indicator option is selected OFF.
- 6.3 Tamper: If outer case is removed, it will transmit alarm signal while LED indicator illuminate for 1 second, LED indicator won't illuminate if LED indicator option is selected OFF.
- 6.4 Low Battery: when this product detect a low voltage on battery, its LED indicator will flash once every 3 seconds, this remind the battery need to be replaced.

7 Caution

- 7.1 While installing choose the best tilt angle and installation height to make sure human movement can be sensed within the product's pattern of coverage.
- 7.2 Installation should avoid positions close to air conditioner, refrigerator, electric heater, electric oven, or other devices which could cause rapid temperature changes. Do not position directly in sunlight or where significant vibration occurs.
- 7.3 Choose the P.COUNT option according to actual requirements.
- 7.4 To conserve battery life, it is recommended that Alarm Interval Time be selected as 3MIN.

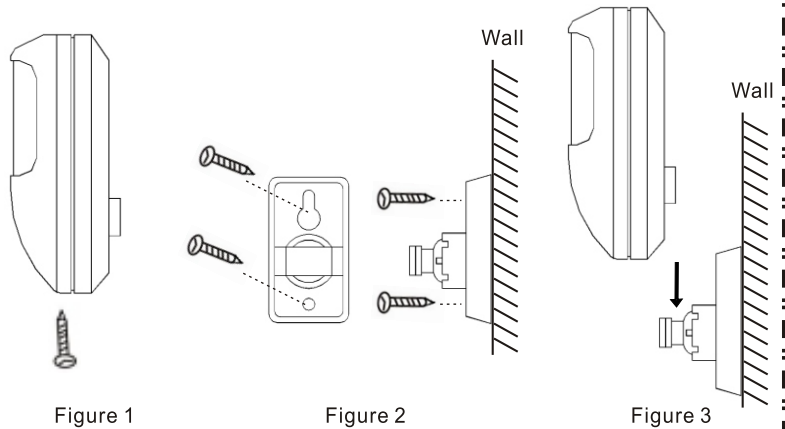
8 Lens Pattern

8.1 Side View

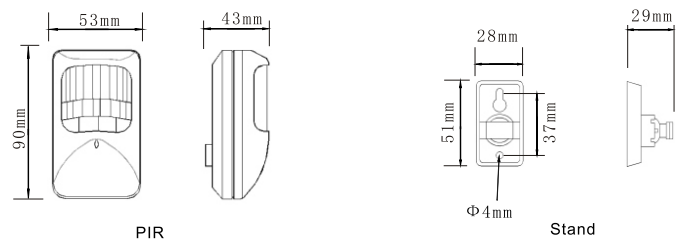


9 Mounting the PIR

- 9.1 Make sure the upper cover is fixed properly on bottom base before installing this motion detector. As shown in figure 1, Mount the upper cover on bottom base, then fix them using screw.
- 9.2 Fix the stand at a height of 2.3m on wall using screws, as shown in figure 2.
- 9.3 Snap the motion detector on stand, according to actual requirements, adjust tilt angle of motion detector until it provides best performance. As shown in figure 3.



10 Outline Dimensions



Attention

1. Install the detectors out of direct sunlight or strong light.
2. Avoid big obstacles in detecting areas.
3. Avoid the equipments which can instantly change enviroment temperature in detecting area, such as air conditioner, heater, etc..
4. Reminder: To ensure normal working of detectors, pls check the detectors every half a year.